

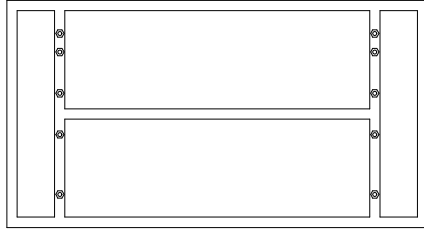
NEXTGEN ROOM DIVIDER ASSEMBLY GUIDE

Table of Contents

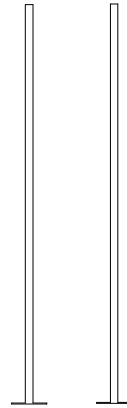
	<u>Page</u>
<u>NextGen Room Divider Components</u>	<u>2</u>
<u>Tools Required</u>	<u>3</u>
<u>Assembly Instructions</u>	<u>3</u>

NEXTGEN ROOM DIVIDER ASSEMBLY GUIDE

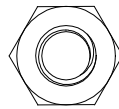
Components:



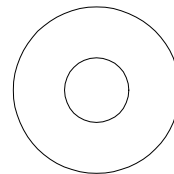
Base Frame (1)



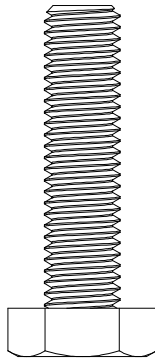
Poles (2)



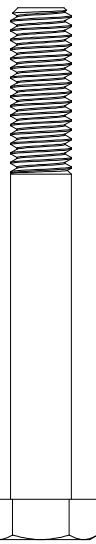
M8X1.25 (8)



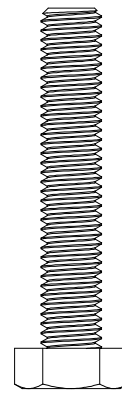
M8 Washer
(2 Sided - 16)
(1 Sided - 8)



M10X1.5X40 (4)



M8X1.25X65
Two Sided (8)



M8X1.25X45
One Sided (8)

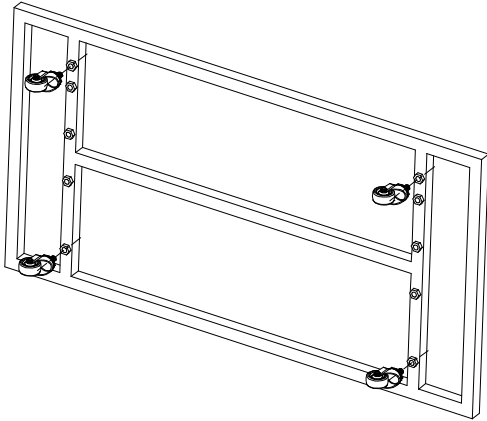
NEXTGEN ROOM DIVIDER ASSEMBLY GUIDE

Tools Required:

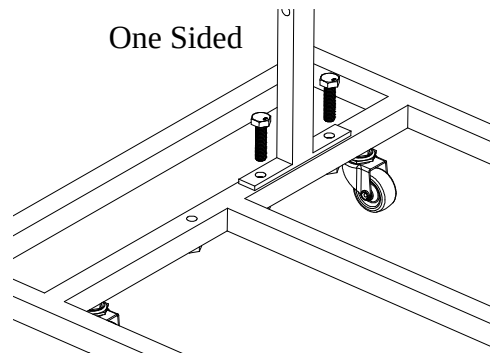
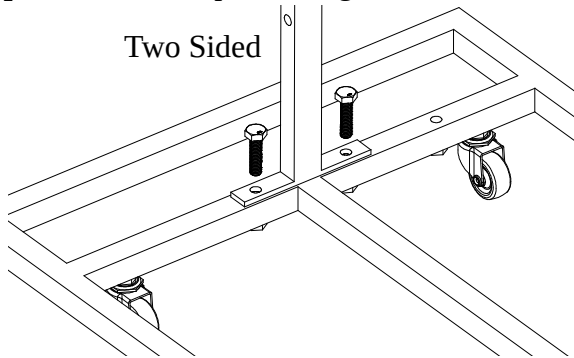
Ratchet
17mm socket
13mm socket
13mm wrench

Assembly Instructions:

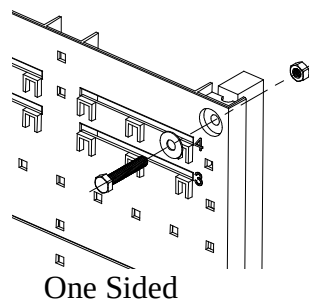
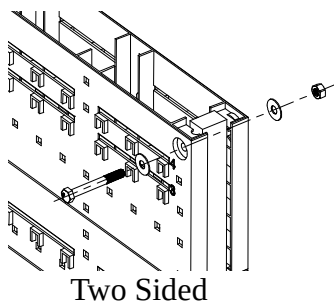
Step 1: Screw on wheels/leg levelers until snug



Step 2: Bolt on the polls using M10x1.5x40 bolts provided and a 17mm socket.

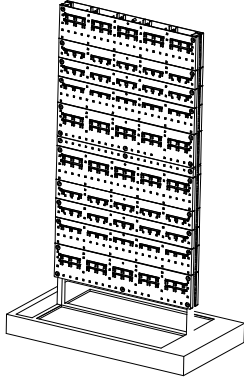


Step 3: Connect the grids using provided hardware. See components section for which hardware to use. Cut grid goes on top.



NEXTGEN ROOM DIVIDER ASSEMBLY GUIDE

Step 4: Place the base cover over the base frame.



Step 5: Attach drains and leaf screens to trays.

Step 6: Place trays on grid in #4 slots starting from the bottom and working up. The bottom tray should not have drains.

Step 7: Install side panels using connectors

Step 8: Plant room divider

Step 9: Water room divider